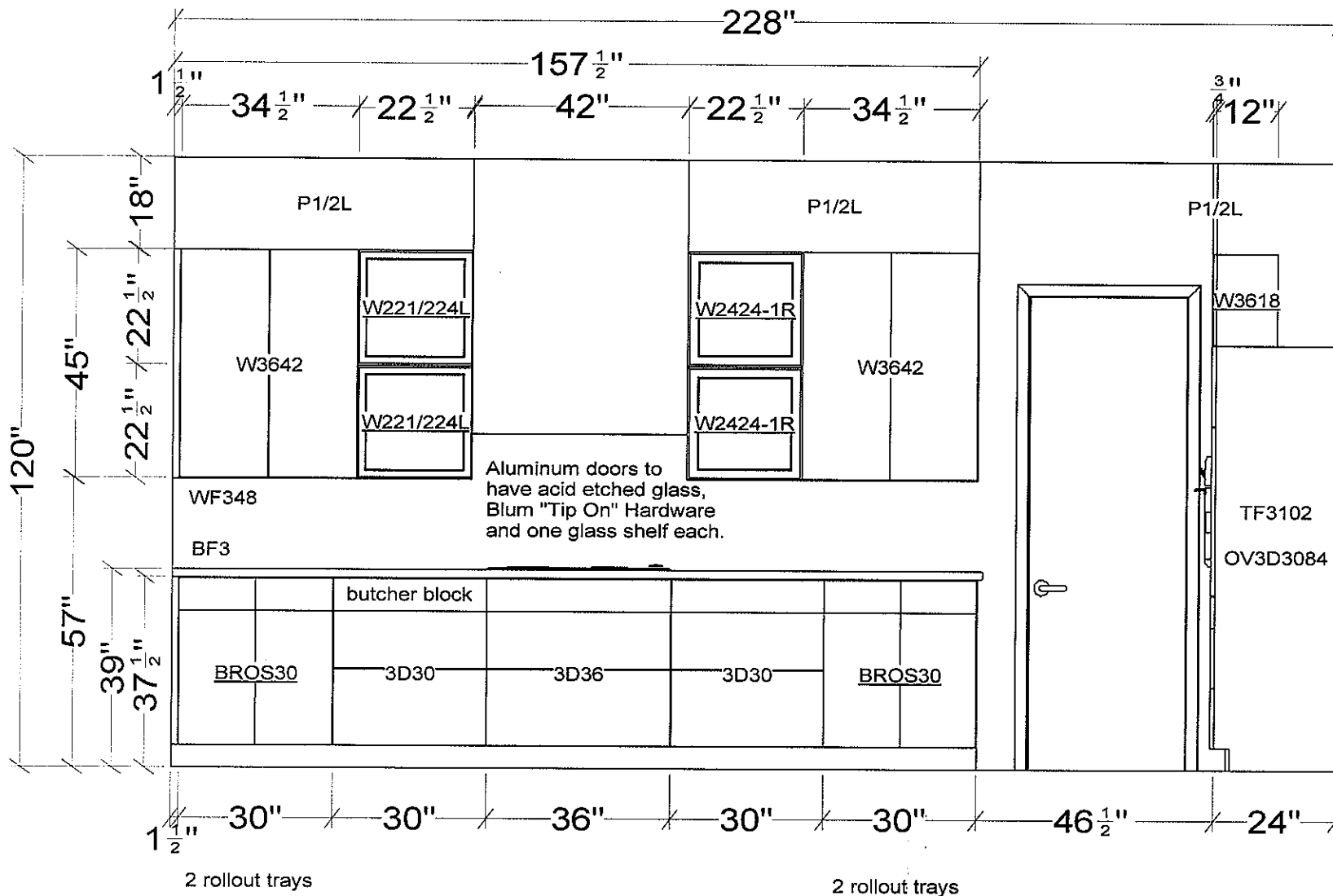


All dimensions size designations given are subject to verification on job site and adjustment to fit job conditions.



This is an original design and must not be released or copied unless applicable fee has been paid or job order placed.

Designed: 3/3/2008
Printed: 4/3/2008

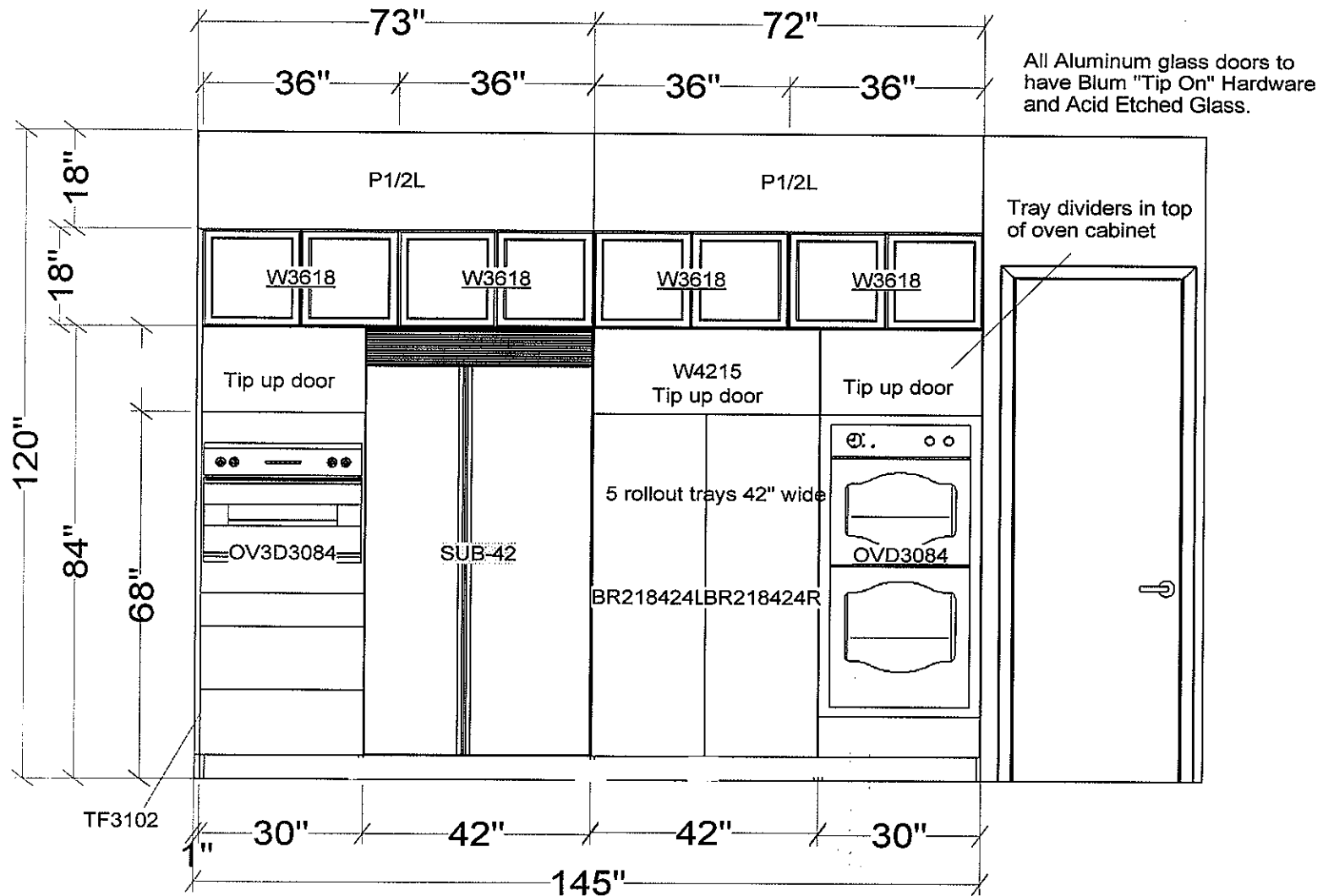


All dimensions size designations given are subject to verification on job site and adjustment to fit job conditions.



This is an original design and must not be released or copied unless applicable fee has been paid or job order placed.

Designed: 3/3/2008
Printed: 4/3/2008

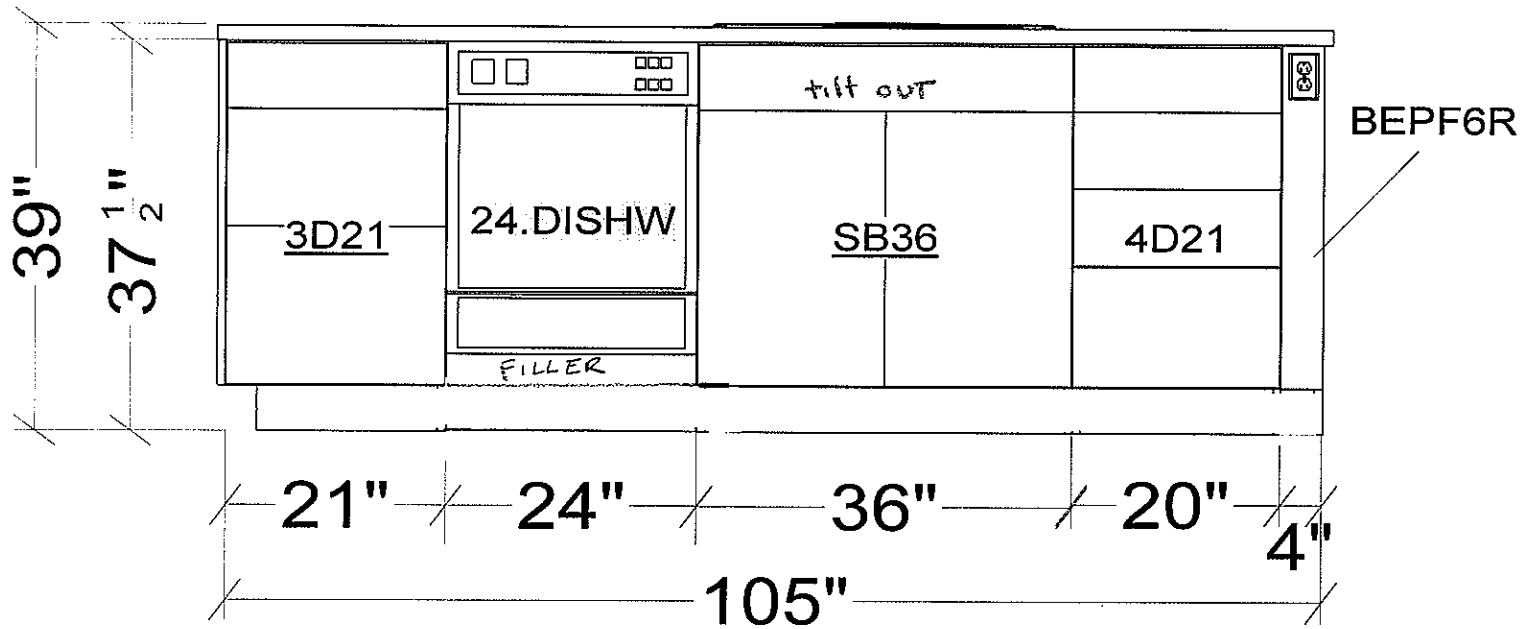


All dimensions .size designations given are subject to verification on job site and adjustment to fit job conditions.



This is an original design and must not be released or copied unless applicable fee has been paid or job order placed.

Designed: 3/3/2008
 Printed: 4/3/2008



3" platform to be built for dishwasher. Filler and toekick to be applied at bottom.

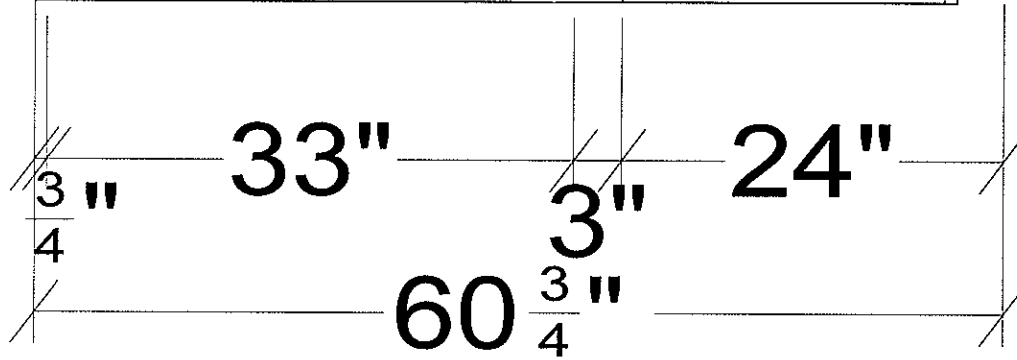
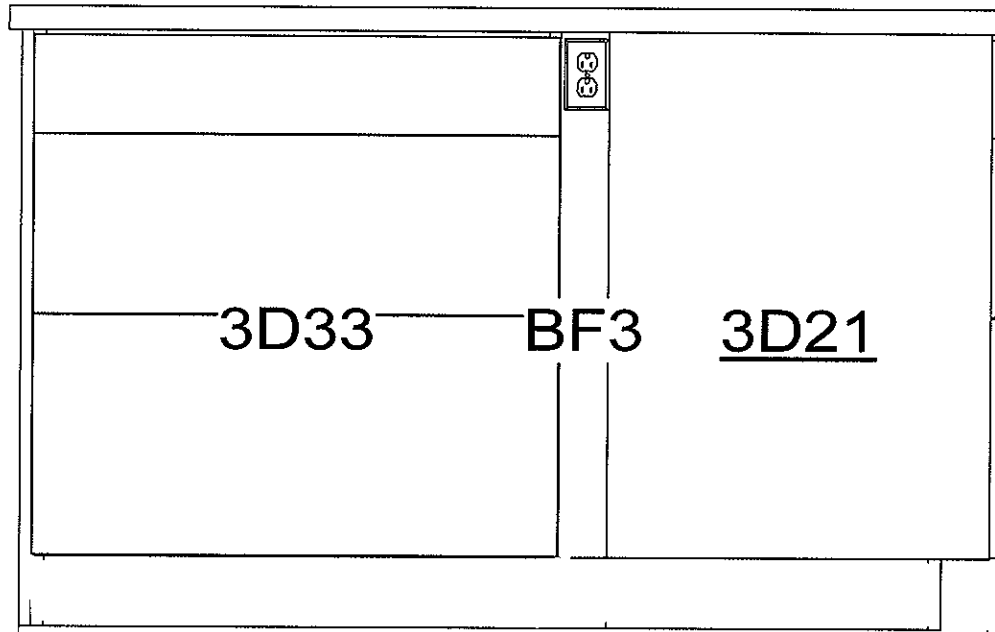
All dimensions .size designations given are subject to verification on job site and adjustment to fit job conditions.



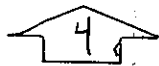
This is an original design and must not be released or copied unless applicable fee has been paid or job order placed.

Designed: 4/3/2008
Printed: 4/3/2008

P3/4V



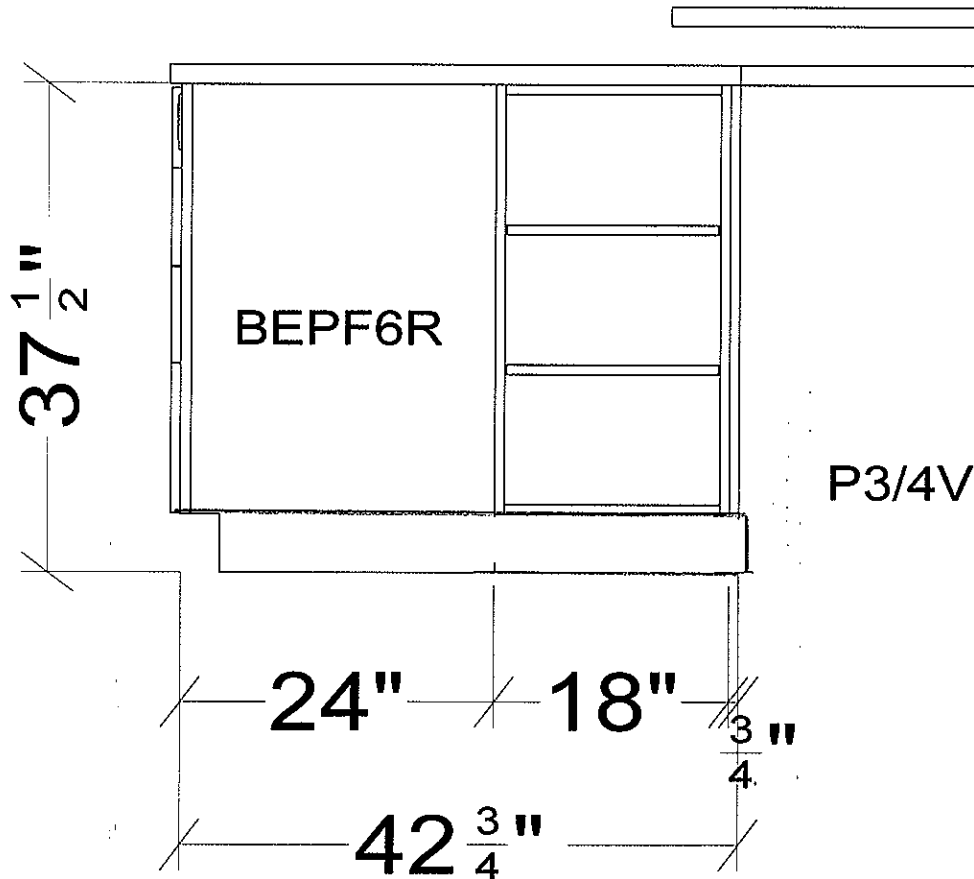
All dimensions size designations given are subject to verification on job site and adjustment to fit job conditions.



This is an original design and must not be released or copied unless applicable fee has been paid or job order placed.

Designed: 4/3/2008
Printed: 4/3/2008

WNDMI1833



All dimensions .size designations given are subject to verification on job site and adjustment to fit job conditions.



This is an original design and must not be released or copied unless applicable fee has been paid or job order placed.

Designed: 4/3/2008
Printed: 4/3/2008